

Specifications

HD890-HC



Double door beverage cooler w/ hinged doors

Order Code: 002164



| External Dimensions | |
|---|------|
| Height (mm) | 2020 |
| Width (mm) | 890 |
| Depth (mm) | 635 |
| Depth (including rear spacer if fitted), (mm) | N/A |

| Ventilation space requirements | |
|---|----|
| Top (mm) | 70 |
| Sides (mm) | 20 |
| Rear (includes rear spacer if fitted), (mm) | 70 |

| Electrical and Energy Performance | |
|-----------------------------------|---------|
| Voltage (V) | 220 |
| Hertz (Hz) | 50 |
| Running current (Amps) | 1.8 |
| Rated Power (Watts) | 367 |
| Energy Test Regime | EN16902 |
| Energy Consumption kWh/24hr | 3.07 |
| Energy Label Classification | D |
| EEL | 45.77 |
| IP Rating | IPX0 |
| Power cable length (m) | 2.1 |

| Doors | |
|--------------------------------|--------|
| Hinged (left or right) | 2 |
| Sliding | N/A |
| Self-closing | Yes |
| Lock fitted as standard | Option |
| Heated glass | No |
| Low E Glass | Yes |
| Double glazed or triple glazed | Double |
| Tempered glass both panes | Yes |

| Aesthetic & Technical Features | |
|---------------------------------------|------------------------|
| Standard colour/material exterior | White (metal) w/ Black |
| Standard colour/material interior | White (metal) |
| Number of shelves as standard | 8 |
| Shelf finish (eg painted or chrome) | Epoxy Coated |
| Wine shelf option available | No |
| Energy Management Device | Yes |
| EC Evaporator fan | Yes |
| EC Condensor fan | Yes |
| Electronic control with temp. display | Yes |
| Power switch | No |
| Light switch | Yes (on EMD) |
| Heated mullion | No |
| Adjustable feet | Yes |
| Castors | Option |

All dimensions shown in mm

| Lighting | |
|---------------------------|--------------|
| Horizontal top light | Yes (Header) |
| Shelf light | No |
| Vertical side light left | Yes |
| Vertical side light right | Yes |

| Capacity Data | |
|---|--------|
| Facings per shelf of 500ml PET bottles | 5 (10) |
| Capacity of 500ml PET bottles | 350 |
| Capacity of 330ml beer bottles | 480 |
| Capacity of 330ml cans (double stacked) | 700 |
| Capacity of 500ml beer cans | 350 |
| Capacity Litres | 649 |

| Weight Data | |
|-----------------------------------|-----|
| Gross weight (includes packaging) | 149 |
| Net weight (without packaging) | 148 |

| Temperature & Sound Information | |
|---------------------------------|--------------|
| Climate class | CC2 |
| Maximum ambient temperature | 42°C |
| Temperature performance class | K2 |
| Adjustment Range | 4°C |
| Factory set product temp | 3.5°C ±1.5°C |
| Noise level (dB) | 59 |

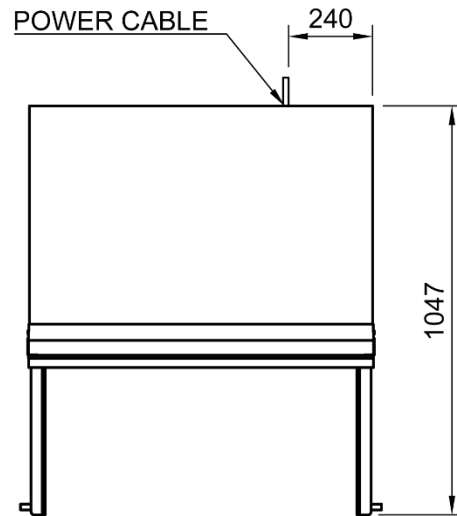
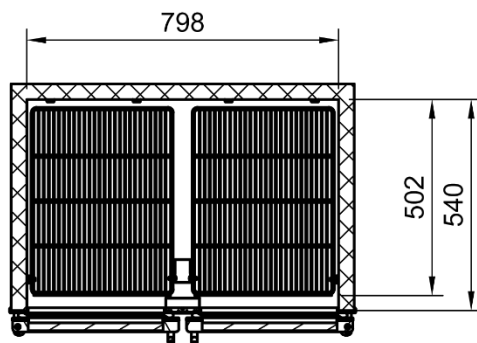
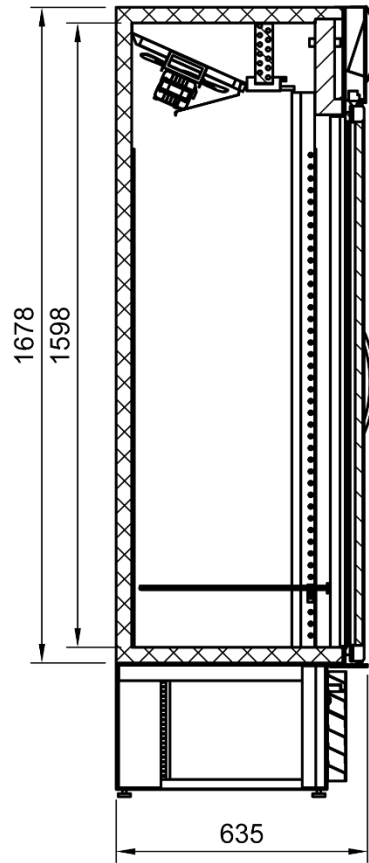
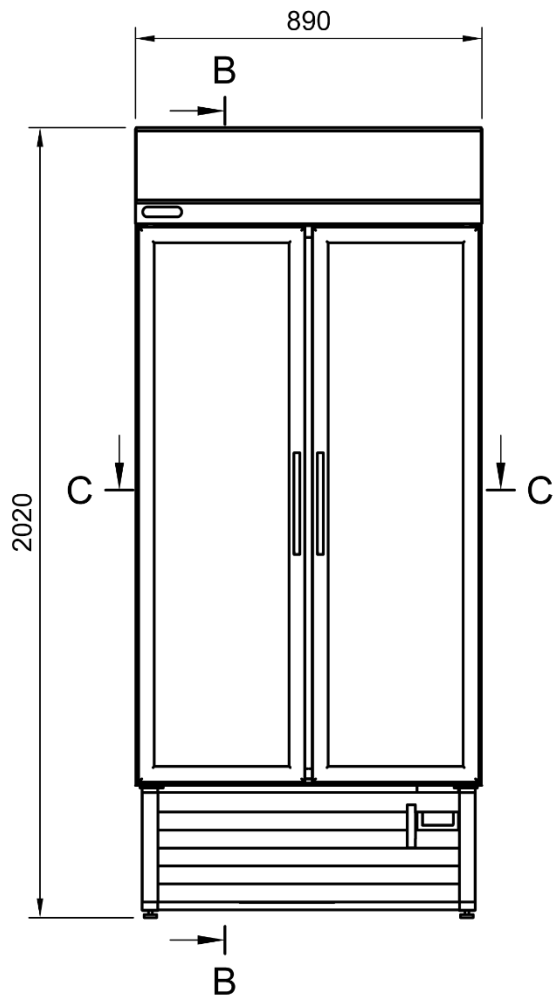
| Refrigeration Details | |
|-----------------------|--------------------|
| Refrigerant | R290 |
| Insulation Foam | PU (Methylformate) |
| Evaporator type | Cu/Al Fin on Tube |
| Condenser type | Cu/Al Fin on Tube |

| Container Loading Quantity | |
|----------------------------|----|
| 20' loading qty | 21 |
| 40' loading qty | 44 |
| 40' HQ loading qty | 44 |

Staycold Export Ltd
 Hawarden Business Park
 Hawarden, Flintshire, CH5 3US
 United Kingdom

Tel +44 1244 321320
www.staycold.co.uk
sales@staycold.co.uk

Staycold and Rhino are Registered Trademarks of ESP Ventures Ltd.



Staycold Export Ltd
 Hawarden Business Park
 Hawarden, Flintshire, CH5 3US
 United Kingdom

Tel +44 1244 321320
www.staycold.co.uk
sales@staycold.co.uk

Staycold and Rhino are Registered Trademarks of ESP Ventures Ltd.